

The Base Unit: Back Panel

The Base Unit performs the DSP, audio I/Os, and GPI/Os. The back panel of the BU with its connectors is shown here.

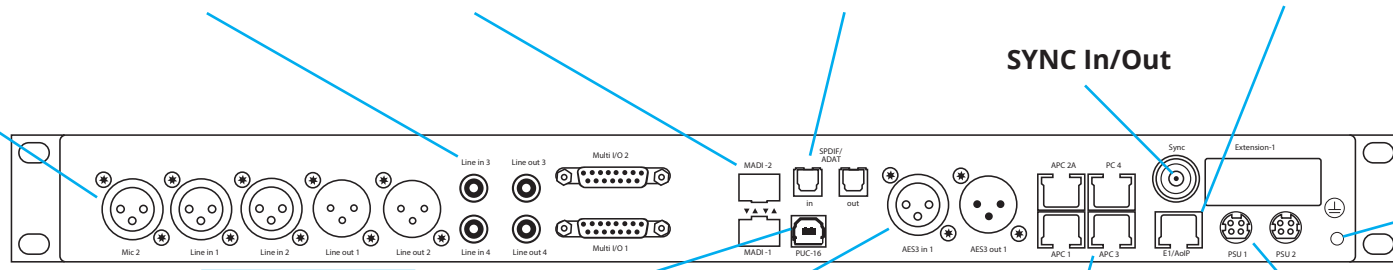
The **Mic 2** input can be Mic or Line Level. Analog line inputs and outputs are always mono.

Line 3/4 are for consumer level devices, such as a field recorder.

MADI GA1 and **MADI GA2** can receive opto connectors for MADI extension.

SPDIF/ADAT opto connectors can be configured to SPDIF I/O or a multichannel ADAT interface.

E1/AoIP connects a PC when configuring the BU, or interconnects the DANTE 4x4 interface.



Line In/Out 1-2 are 2 symmetric analog mono I/Os.

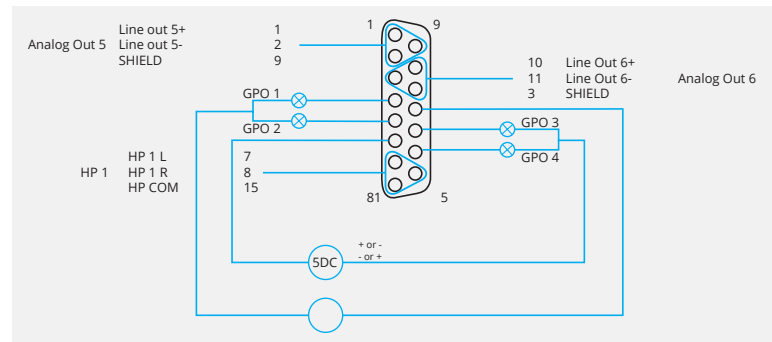
USB provides 16 I/O channels: 8 stereo or 16 mono.

AES3 interconnects a digital stereo source with a stereo destination.

APC 1 PoE port to interconnect with PoE connector for the CU. **APC 2-4** are PoE connectors for up to three optional channel I/O extensions.

PSU1/PSU2 takes the DC input from the brick PSU. To meet redundant PSU requirements, use two PE mounting tabs for proper protective earth connection.

Multi I/O 1



Multi I/O 2

